



DESIGNED TO PERFORM

# R X A H 4 6 A I R H A N D L E R

## INSTALLATION, OPERATION, AND MAINTENANCE MANUAL



Consumer Safety Information	2
Overview of the RedZone™ Air Handler	3
Codes and Standards	3
Receiving & Checking Equipment	4
Physical Data	5
Installation	
Locating and Mounting	6-10
Plumbing	10-13
Electrical Connections	14-16
Thermostat Installation	17
Start-Up Procedure	18
Troubleshooting	19
Sequence of Operation	20
Maintenance	21
Specifications	22
Accessories	23
Air Delivery Performance	24
Parts List	25
Limited Warranty	26-27



**IMPORTANT: READ AND SAVE THESE INSTRUCTIONS!**

To register your Air Handler, please visit [www.redzone-products.com](http://www.redzone-products.com)

# CONSUMER SAFETY INFORMATION

## SAFETY DEFINITIONS



Indicates safety alerts. When this symbol is seen on the Air Handler and in all instructions and/or manuals, be alert to the potential for personal injury. Recognize signal words DANGER, WARNING, and CAUTION. These words are used with the safety alert symbol.



Indicates an imminently hazardous situation which, if not avoided, will result in death or serious injury.



Indicates a potentially hazardous situation which, if not avoided, could result in death or serious injury.



Indicates a potentially hazardous situation which, if not avoided, could result in minor or moderate injury. It may also be used to alert against unsafe practices.




This is used to highlight important information which will aid in installation, improve reliability or enhance operation.

## SAFETY CONSIDERATIONS

Before any work is undertaken, it is imperative to observe all precautions as stated in this manual, on tags, and/or labels, together with any other safety measures that may apply.

- Wear safety glasses and work gloves.
- When practical, objects to be brazed shall be moved to a designated safe location or, if the objects to be brazed cannot be readily moved, all movable fire hazards in the vicinity shall be taken to a safe place, or otherwise protected.
- Use quenching cloth for all brazing and un-brazing operations.
- Suitable fire extinguishing equipment shall be immediately available in the work area and shall be maintained in a state of readiness for instant use.

Read these installation instructions carefully and adhere to all WARNINGS and CAUTIONS. Consult local building codes, Occupational Safety & Health Administration (OSHA) and Electrical Safety Authority (ESA) for special requirements. Improper installation, modification, service, maintenance, or use of Hydronic systems can cause electrical shock, burns or other conditions which may cause personal injury or property damage. Consult a qualified installer, service agency, or your distributor for information or support. The qualified installer or agent must use factory authorized kits and/or accessories when installing this product. Refer to the appropriate RedZone™ literature for listing.

 **WARNING**

Before installing or servicing the Air Handler, always turn off all power to unit. There may be more than one disconnect switch. Electrical shock can cause personal injury or death.

 **CAUTION**

Failure to follow this caution may result in personal injury. Sheet metal parts may have sharp edges or burrs. Use care and wear appropriate protective clothing.

**NOTICE**

Application of this Air Handler should be indoors. Special attention should be given to unit sizing and piping, filling, and purging.

**Read the entire instruction manual before starting the installation.**

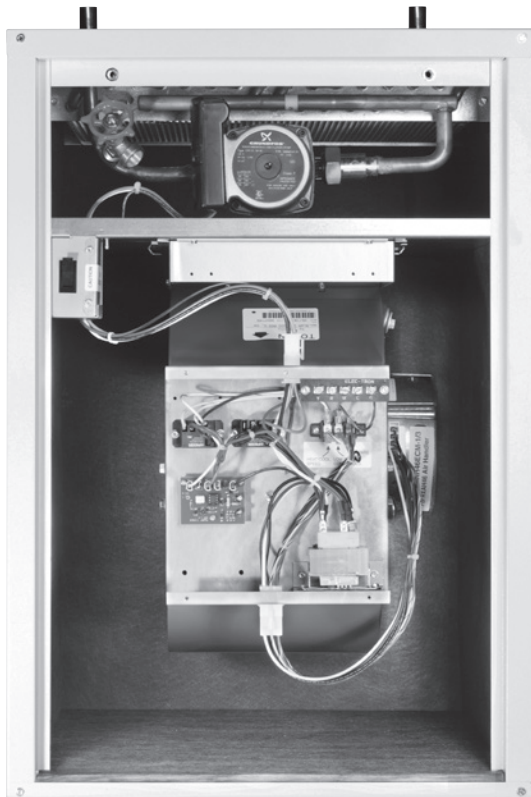
# OVERVIEW OF THE REDZONE™ AIR HANDLER

## INTRODUCTION

The optimum in hydronic technology: the newly designed RedZone™ multi-position Air Handlers offer a unique solution for a wide variety of small and medium sized residential and light commercial applications. They are compact and ready to fit in tight spaces which may include, but not limited to, basements, closets, crawlspaces, and utility rooms.

## CODES AND STANDARDS

It is the responsibility of the installer to follow all national codes, standards and local ordinances, in addition to instructions laid out in this manual. The installation must comply with regulations of the local building, heating, plumbing, and other codes. Where local codes are not applicable, the installation must comply with the national codes and any and all authorities having jurisdiction.



The following is a suggested list of codes and standards for the United States and Canada:

### General Installation

Installation of Air Conditioning and Ventilating Systems  
NFPA 90A (latest edition)

### Duct Systems

Sheet Metal and Air Conditioning Contractors National Association (SMACNA)

American Society of Heating, Refrigeration, and Air Conditioning Engineers (ASHRAE)

2001 Fundamentals Handbook Chapter 34 or 2000 HVAC Systems and Equipment Handbook Chapters 9 and 16

US and CANADA: Air Conditioning Contractors Association (ACCA) Manual D

### Acoustical Lining and Fibrous Glass Duct

US and CANADA: current edition of SMACNA; NFPA 90B as tested by UL Standard 181 for Class I Rigid Air Ducts

### Electrical Connections

CANADA: Canadian Electrical Code CSA C22.1 (latest edition)

### Plumbing Systems

US and CANADA: ICC International Plumbing Code (IPC); Uniform Mechanical Code (UMC); Uniform Plumbing Code (UPC)

# RECEIVING AND CHECKING EQUIPMENT

## IDENTIFY UNIT

The unit model number and serial number are located on the unit identification label (located on the left side of the unit). Check this information against shipping papers and job requirements.

## INSPECT SHIPMENT

Upon receipt of a RXAH Air Handler the packaging should be checked for peripheral signs of transportation damage while unit is still in the shipping package. If unit appears to be damaged or is torn loose from its anchorage, the unit shall be immediately examined by the receiving party before

removal. If damage is found, the receiving party must sign the driver's delivery receipt noting all damage (i.e. carton damage and/or product damage) as well as contact the last carrier immediately, preferably in writing, requesting inspection by the carrier's agent. All claim papers **MUST** be forwarded to your local distributor for processing. In general, upon receipt of product, be sure to check all items against shipping list; if items are found to be missing, it should be noted as such on the driver's delivery receipt; and the receiving party shall also immediately notify the area distributor. To prevent loss or damage, leave all parts in original packages until installation.

# INSTALLATION

**The RXAH Air Handler needs to be installed and commissioned by a knowledgeable qualified professional.**

### NOTES:

1. This Air Handler is approved for upflow, downflow, and horizontal configurations.
2. Clearance arrows do not change with Air Handler orientation.
3. **This Air Handler is for indoor installation only.**
4. Unit(s) shall be installed in such a way as to ensure that the electrical components are protected from any contact with water.
5. Unit(s) shall not be installed directly on any combustible material other than wood flooring.
6. This unit is designed to be used with an air distribution system (ductwork). Refer to the Air Distribution Ductwork section.
7. The installer shall provide ample space for servicing and cleaning. Always comply with minimum fire protection clearances shown in Figure 1.
8. The RXAH units are designed to be installed vertically or horizontally on the floor; units may also be hung from the ceiling or wall. Be sure to allow appropriate clearances for wiring, piping, and servicing.

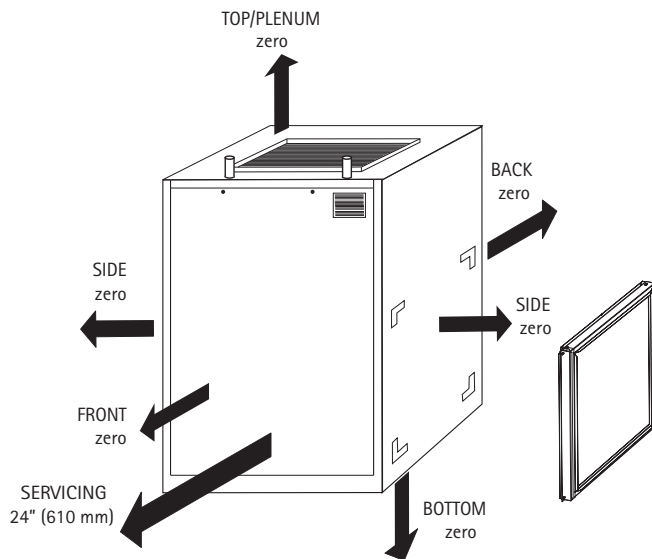


FIGURE 1 Minimum Clearance to Combustible Construction



## WARNING

Do not install this unit if the unit is damaged.

Do not install this unit if any part or all of unit has been under water. Refer to the Receiving and Checking Equipment section.

Table 1 – Physical Data

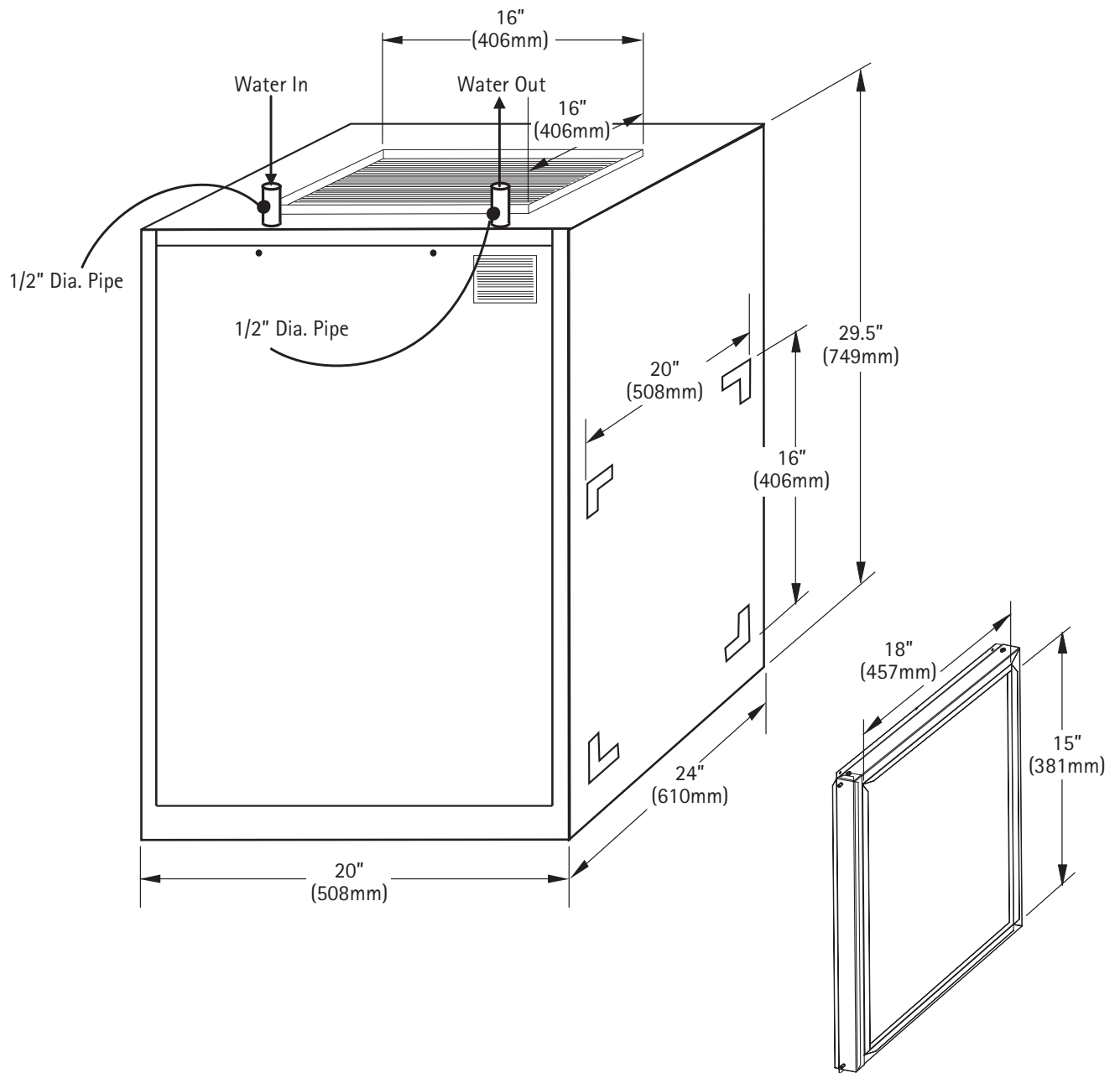


FIGURE 2

# INSTALLATION

## LOCATING AND MOUNTING THE AIR HANDLER

### General

The multi-position RXAH Air Handlers are shipped requiring only minor modifications to the cabinet.

The appropriate return air opening must be cut out and the supplied filter rack installed. For instructions on required modifications and assembly refer to Figures 3 and 4.

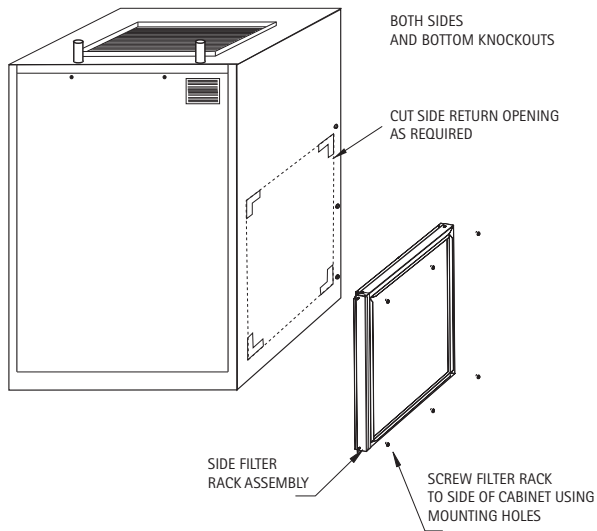


FIGURE 3 Modification of Unit to Accommodate Side Filter Rack Installation

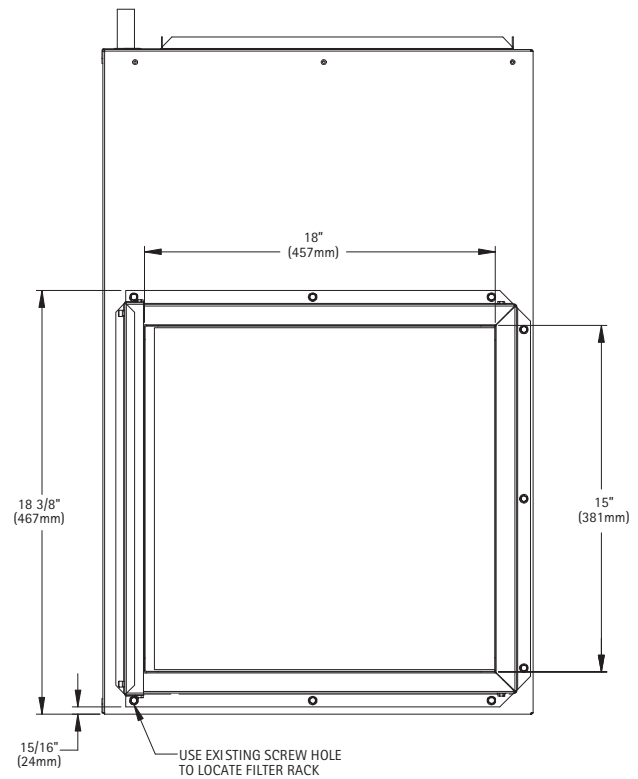


FIGURE 4 Side Filter Rack Installation

# INSTALLATION

## Upflow Installations

The RXAH Air Handler is ready to install once the appropriate return air panel is selected and cut out.

If you use the bottom return the unit must be supported on the bottom only and set on a field supplied supporting frame or plenum. Supporting frame or plenum must be anchored to the unit and to the floor or wall. Install the filter rack on the bottom of the unit or if supporting frame interferes install a duct mounted filter and filter rack (field supplied).

For side return installations install the filter rack on the side of the cabinet that the return air knockout has been removed. Attach ductwork to the filter rack flange.

## Downflow Installation

The RXAH Air Handler is ready to install once the appropriate return air panel is selected and cut out.

In a down flow installation the unit must be supported on the top only and set on a field supplied supporting frame or plenum. Supporting frame or plenum must be anchored to the unit and to the floor or wall. Mount the filter rack on the side or bottom of the cabinet that the return air knockout has been removed.

## Horizontal Left and Right Installations

The RXAH Air Handler is ready to install once the appropriate return air panel is selected and cut out.

In a horizontal installation the unit must be supported on the side only and set on a field supplied supporting frame. The supporting frame must be anchored to the unit and to the floor, wall or ceiling. Mount the filter rack on the side or bottom of the cabinet that the return air knockout has been removed.

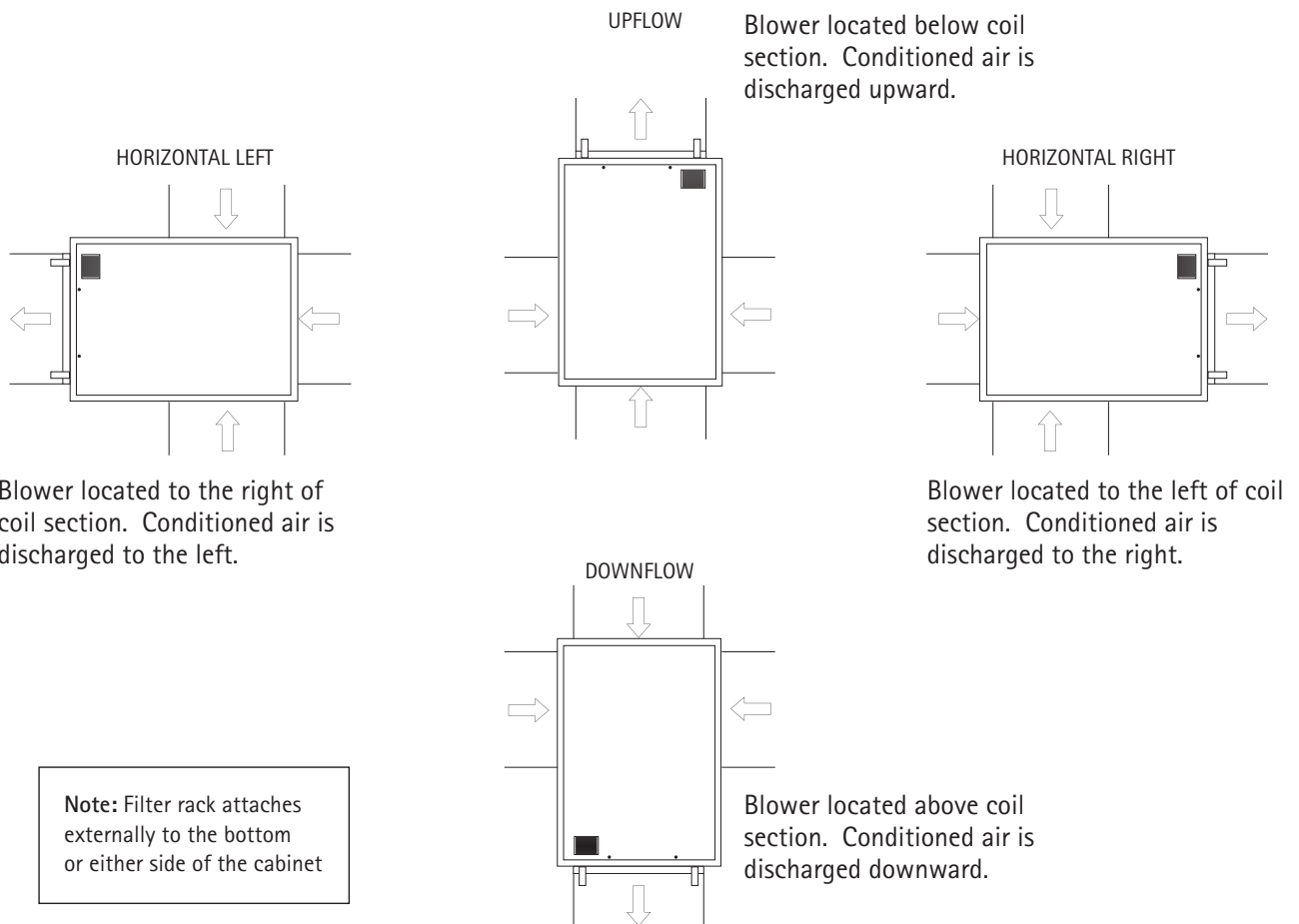


FIGURE 5 Multi Purpose Orientation

# INSTALLATION

## CLOSET INSTALLATION (RETURN AIR THRU OPENING OR GRILL)

The RXAH Air Handler can be installed in a closet on a supporting stand or be mounted from the closet wall using the closet as the return air plenum. Unit should be high enough from the floor to provide unimpeded return air flow into the bottom of the cabinet.

Closet return air opening can be on the front (in closet door), side (thru the wall) or a combination of both, providing there is clearance on the sides between unit's cabinet and closet. Refer to ACCA Manual D or SMACNA for sizing and free area recommendations.

### NOTE:

Local codes may limit application of systems without a ducted return to single story dwellings.

## SUSPENDED CABINET INSTALLATION

If the cabinet cannot be supported on a frame or supported from the wall, it may be suspended.

Use metal strapping or threaded rod with angle iron supports under cabinet for support. These supports **MUST** run parallel with the length of the cabinet (see Figures 6 and 7).

Ensure that there is adequate room to remove service and access panels after installing supporting brackets.

If an auxiliary drain pan is required, the support is to be placed under a drain pan. In such installations, the unit will need to be supported on vibration isolators (rubber or Styrofoam blocks).

### IMPORTANT:

When a RXAH unit is matched with an evaporative type (cased coil/condensing unit) split system for cooling application and the system is installed above a finished ceiling and/or an occupied space, building codes may call for a secondary insulated condensate pan (by others) to be installed under the entire unit. In other instances, some local codes may allow the running of a separate, secondary condensate line in lieu of the required drain pan. It is the responsibility of the installer to consult local codes for compliance.



## WARNING

It is the installer's responsibility to use an appropriate hanging method capable of supporting the unit's weight. Refer to the specification section of this document for the respective unit's installed weights.

## NOTICE

For seismic hanging requirements, refer to local codes.

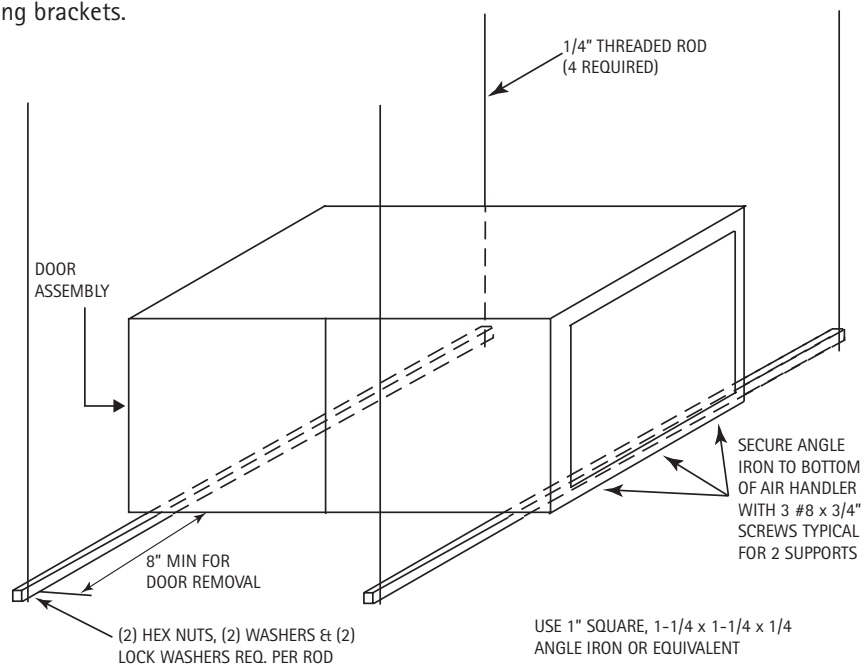


FIGURE 6 Horizontal Unit Suspension



# INSTALLATION

## Attachment Methods Using Straps

### Method 1

Use (4) #8 x 3/4 sheet metal screws for each strap. The straps should be vertical against the Air Handler sides and not pull away from the Air Handler sides.

### Method 2

Fold all straps under the Air Handler and secure with (4) #8 x 3/4 sheet metal screws (2 screws at the side and 2 screws at the bottom. (Care must be taken not to drive the screw through the coil.)

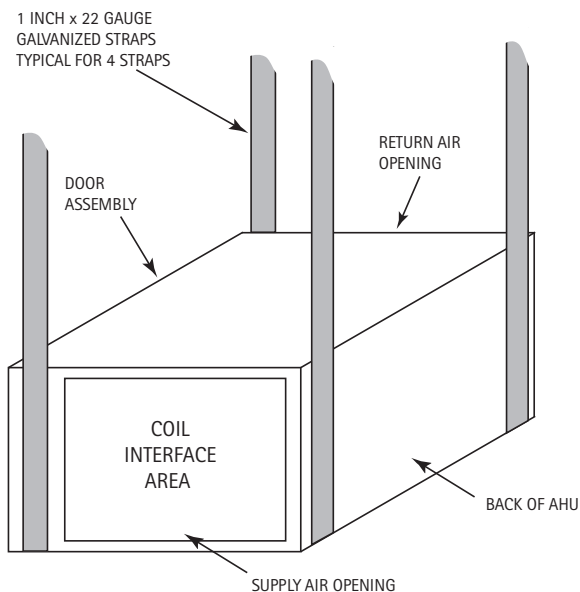


FIGURE 7 Horizontal Unit Suspension with Straps

## DUCT CONNECTIONS

### Supply Duct

The supply ductwork must be attached to the outside of the flange on the air discharge end of unit. Flexible connectors may be used if desired.

### Return Duct

The return ductwork should be attached to the air return side (bottom or side) of unit using sheet metal screws or other fasteners.

For side return air inlet installation, see the Figures 3 and 4.

## FILTER INSTALLATION

External filter rack and a 1 inch disposable filter are standard on all models. Refer to the Specifications section for dimensions.

## AIR DISTRIBUTION SYSTEM

### Existing Ductwork

It is the responsibility of the installer to inspect all previously installed air distribution system to determine its suitability for the new heating and/or cooling system. Existing ductwork may have to be modified and/or insulated to provide satisfactory air distribution.

### Ductwork Installation

Connect the supply-air duct over the outside of 3/4-in. flange on the unit's discharge side. Secure the duct to the flange with proper fasteners for the type of duct used. Support the duct independently.

Use flexible connectors (if desired between the ductwork and the unit to prevent transmission of vibration.

Use insulation with vapor barrier for ductwork passing through unconditioned spaces.

## PROHIBITED INSTALLATIONS

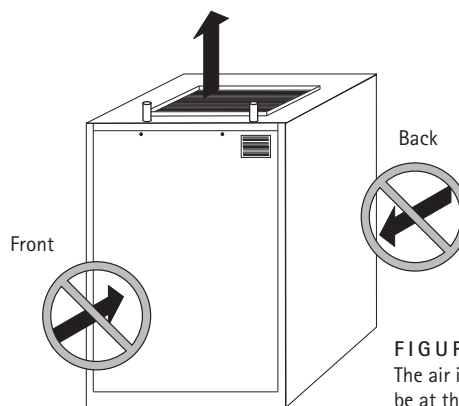


FIGURE 8 The air inlet is not allowed to be at the front or back of the Air Handler.

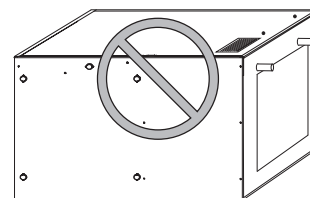


FIGURE 9 Do not position the Air Handler on its back or with its face down.

## WARNING

Multiple Air Handlers configured for installation with a single Tankless Water Heater is prohibited.

# INSTALLATION

The RXAH46 connects to existing ducts when used in a retrofit installation.

Use conventional ducting when installing a new system.

## PLUMBING

### Codes:

Observe all local sanitary codes when installing water lines. The water supply mating connections to the RXAH Air Handling Units are made via the two (1/2 in. Dia.) copper stubs to the top of the unit labeled "INLET" and "OUTLET" (see Figure 2). Mating connectors to be two field supplied 1/2 in. FNPT-sweat ends or two field supplied 1/2 in. SharkBite type FNPT-push fitting ends or equivalent.

All associated hydronic piping **MUST** comply with ICC, UPC and any other local codes or ordinances having jurisdiction. **USE POTABLE GRADE COPPER PIPING AND BRASS APPURTENANCES ONLY.**

### NOTE:

Recommended piping, fittings, valves and other appurtenances (exclusive of those indicted as accessories that are available through RedZone™ distribution) called for in piping schematics to be field-supplied.

### Soldering Copper Tubing

The common method of joining copper tubing in hydronic heating systems is soft soldering. Plumbing codes do not allow solders containing lead to be used for domestic water service. **USE ONLY 95/5 tin/antimony solder** for all piping systems that incorporate a domestic water supply.

### NOTE:

Precautions must be taken during soldering to avoid debris or solder from lodging in piping system.

### Mechanical Joining of Tubing

Where used, refer to respective mechanical system manufacturer's installation instructions.

### Tubing Insulation

Any tube conveying fluid at a temperature greater than that of the surrounding air releases heat.

Insulate all accessible hot water lines and associated valves with material, such as expanded neoprene or polyurethane 3/8-in. to 1/2-in. thick.

Match the pipe sleeve's inside diameter to the pipe's outside diameter for a snug fit. Place the pipe sleeve so the seam will be face down on the pipe. Tape, wire, or clamp insulation every foot or two to secure it to the pipe. If taping is desired, use acrylic or aluminum foil tape instead of cloth-type duct tape.

### Copper Tubing Support

Copper tubing must be properly supported to prevent sagging or buckling. On horizontal runs with hard temper tubing, the following maximum support spacing is suggested:

- 1/2 in. to 3/4 in. tube: 5 feet maximum spacing

The above suggested spacing does not account for extra weight of piping components such as an expansion tank, etc. When such components are present, the piping should be supported immediately adjacent to the component.

On vertical runs, copper tubing should be supported at each floor level or at a maximum of every 10 feet.

### Thermal Expansion of Piping:

In all hydronic systems, piping undergoes temperature swings as the system operates. This causes changes in the length of the piping due to thermal expansion.

If the piping is rigidly mounted, this expansion can cause annoying popping or squeaking sounds and in extreme cases, the piping can even buckle.

To counter expansion movement, design piping circuits with sufficient elbows, tees or expansion loops (only used in large systems) or piping supports that allow the tubing to expand and contract freely.

Another alternative is to install an expansion tank compensator fitting capable of absorbing the movement.

# INSTALLATION

## **Hydraulic Resistance of Fittings, Valves, and Other Devices:**

Before the total hydraulic resistance of a piping circuit can be found, the individual hydraulic resistances of all fittings, valves, or other such components must be determined.

One approach is to consider each fitting, valve, or other device as an equivalent length of copper tube of the same pipe size (see Table 2).

By using the equivalent length of piping for all components in the circuit, the circuit can be treated as if it were a single piece of pipe having a length equal to the sum of the actual pipe length, the total equivalent lengths of all fittings, valves, or other devices. Refer to Figure 10 and the calculation of equivalent lengths.

## **Pipe Sizing Considerations:**

At water flow velocities of approximately 2 feet per second, flowing water will carry air bubbles along a vertical pipe. Average flow velocities of 2 feet per second or higher can draw along air bubbles in a downward flow. At the above stated velocities, air bubbles shall be routed to an air separator where they can be collected and discharged from the system. Use Taco 4900 series air separator, Model 49-075, or equivalent (field supplied).

Average flow velocities higher than 4 feet per second could cause flow noise and should be avoided.

## **Expansion Tanks:**

All liquids used in hydronic heating systems expand when heated. For all practical purposes, liquids are incompressible. Any container completely filled with a liquid and sealed from the atmosphere will experience a rapid increase in pressure as the liquid is heated.

To prevent this from occurring, all closed loop hydronic systems **MUST** be equipped with an expansion tank. Refer to expansion tank manufacture's instructions for proper sizing and installation.

# INSTALLATION

## PROCEDURE FOR CALCULATING THE TOTAL EQUIVALENT LENGTH OF PIPE

Given piping assembly as shown in Figure 10 below, what is the total equivalent length of the system?

First, determine the total straight pipe lengths; next refer to Table 2 to determine the equivalent straight pipe length for each fitting shown. Add together the equivalent lengths of piping and fittings.

3/4" Tubing (total straight pipe length)	68 ft.
(6) 3/4" 90 deg. Elbows	6(2) = 12 ft.
(2) 3/4" Side port tee	2(3) = 6.0 ft.
(1) 3/4" Air separator (optional)	1(0.3) = 0.3 ft.
(2) 3/4" Ball valves	2(2.2) = 4.4 ft.
<b>Total Equivalent Length</b>	<b>90.7 ft.</b>

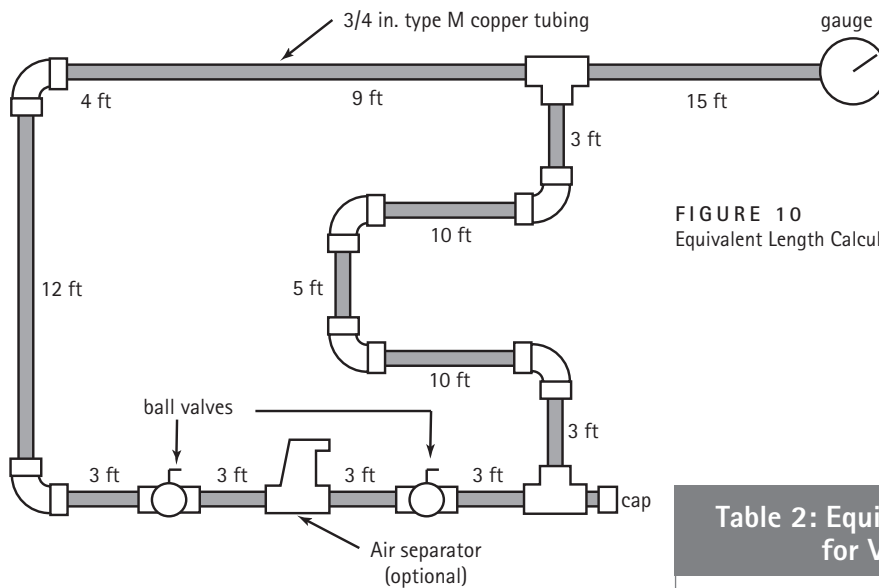


FIGURE 10  
Equivalent Length Calculation

Table 2: Equivalent Length of Straight Pipe for Valves and Fittings (ft)

Fitting or Valve	1/2"	3/4"
90 deg. elbow	1	2
45 deg. elbow	0.5	0.75
Straight thru tee	0.3	0.4
Side port tee	2	3
Reducer coupling	0.4	0.5
Gate valve	0.2	0.25
Globe valve	15	20
Angle valve	3.1	4.7
Ball valve	1.9	2.2
Swing check valve	2	3
Butterfly valve	1.1	2
Air separator (optional)	NA	0.3

## NOTICE

Where possible the length of pipe should not exceed 60 feet equivalent length 1/2" pipe or 120 feet equivalent length 3/4" pipe.

Any piping running through unconditioned space **MUST** be insulated to prevent heat loss, and possible freezing of the line.

Stickers indicating direction of flow, (WATER IN, and WATER OUT) are labeled on the outside of the cabinet. **DO NOT** reverse these lines, as this will cause the unit to malfunction.

# INSTALLATION

## Piping Configuration

When employing a Tankless Water Heater in a hydronic system, the system is considered an Open Loop System when configured to simultaneously deliver both domestic hot water and space heating. By definition, if the circuit is sealed off from the atmosphere at all locations (as is true for most modern hydronic systems) it is called a closed loop system. If the circuit is open to the atmosphere at any point, it is called an open loop system. Current tankless products are not certified for closed loop applications.

## Open Loop System

If piping is done in accordance with the recommended schematic diagram shown in Figure 11, the following purge and priming procedure applies.

## PURGING AND PRIMING THE SYSTEM

The following procedure describes how the RedZone™ system may be piped to eliminate the need for a "purge cart" to fill the system and remove entrapped air bubbles.

**STEP 1:** CLOSE ball valve 3 (BV3).

**STEP 2:** OPEN drain valve 3 (DV3) to which a hose MUST be connected and draining to a sink, drain or outdoors.

**STEP 3:** CLOSE drain valves 1 and 2 (DV1 and DV2) and OPEN ball valve 2 (BV2).

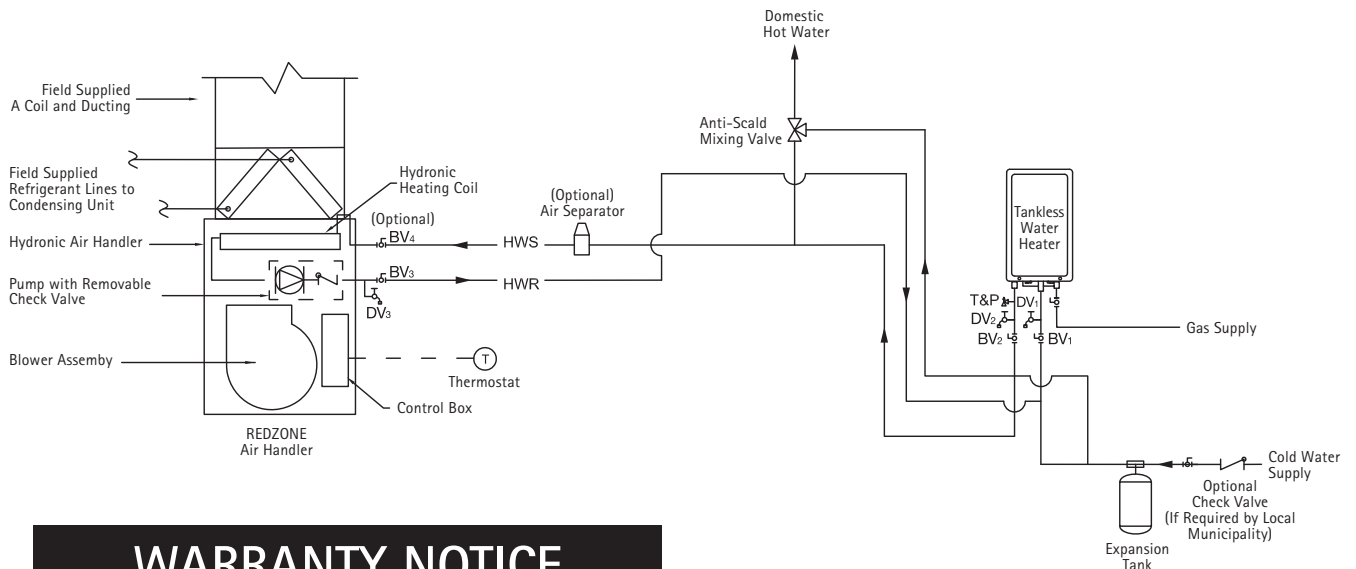
**STEP 4:** OPEN cold water supply main valve (ball valve 1 - BV1). The system will begin the prime/purge process using the street pressure. Entrapped air bubbles being pushed out of the system will be evident by a slight vibration of the discharge hose connected to drain valve 3 (DV3). The hose will stop vibrating when laminar flow is achieved.

**STEP 5:** CLOSE drain valve 3 (DV3).

**STEP 6:** OPEN ball valve 3 (BV3). The system is now purged, primed and ready to go.

## NOTE:

For an open loop system, use expansion tank and mixing valve approved for potable water use only.



## WARRANTY NOTICE

Expansion Tank and Thermostatic Mixing Valve must be installed with every open loop installation or warranty on product becomes null and void.

**FIGURE 11**  
Typical Piping Arrangement For Direct Space Heating and Domestic Water Supply with Tankless

# INSTALLATION

## ELECTRICAL CONNECTIONS

### Line-Voltage Connections:

**CANADIAN INSTALLATIONS:** Make all electrical connections in accordance with Canadian Electrical Code CSA C22.1 and all authorities having jurisdiction.

Check all factory wiring per unit wiring diagram and inspect factory wiring connections to be sure none were loosened in transit.



### WARNING

Before installing or servicing system, always turn off all power to system. There may be more than one disconnect switch. Electrical shock can cause personal injury or death.



### CAUTION

If a disconnect switch is to be mounted on the unit, select a location where a drill or fastener will not contact electrical or hydronic components. Electrical shock can cause personal injury or death.

### NOTE:

Prior to making any electrical connections, ensure that supply voltage, frequency, and phase are as specified on unit rating plate.

Check to ensure that the existing electrical service is adequate to handle the additional load imposed by the RXAH Air Handler. Refer to unit wiring diagram for proper electrical connections.

All electrical connections **MUST** comply with NEC and any other local codes or ordinances having jurisdiction. **USE COPPER WIRE ONLY.** Provide separate branch electric circuit with field supplied disconnect switch.

Location of disconnect switch to be in clear site, accessible and in close proximity to the unit. Correct polarity **MUST** be maintained for 115 V wiring. If polarity is incorrect unit will **NOT** operate.

# INSTALLATION

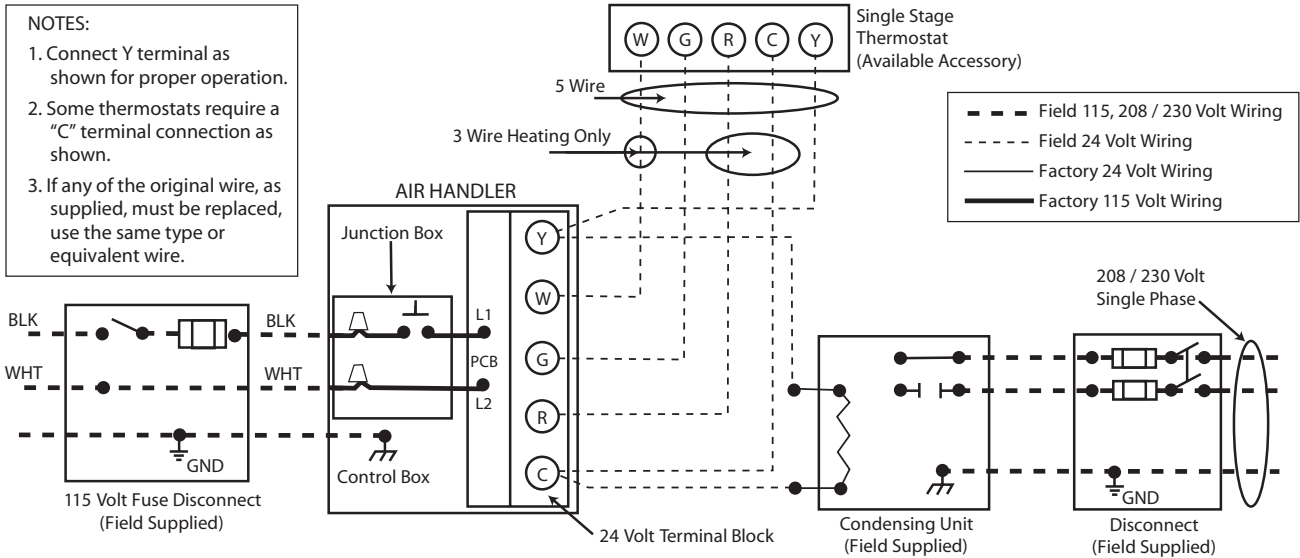


FIGURE 12 Field Wiring Diagram

## Electrical Connection to Control Box

1. Route the Air Handler power wires through aligned holes in casing and Control Box and make field wire connections in Control Box. Use best practices for wire bushings, strain relief, etc. Field wiring to the unit must be grounded and conform to the National Electrical Code C22.1 Part 1 - latest edition. Use only CSA or UL listed conduit and conduit connectors to connect supply wires to the unit and provide appropriate grounding. Grounding may also be accomplished by grounding the control box per appropriate local codes. Electric wires that are field installed shall conform to the temperature limitation for 63° F (35° C) rise wire when installed in accordance with instructions. Refer to Table 3 in for specific Air Handler electrical data.
2. Route and secure field ground wire to ground screw on Control Box.
3. Connect line voltage leads as shown in Figure 12.
4. Reinstall cover to Control Box. Ensure that wires are not pinched between cover and edge of Control Box.

## 24V Control System Connections to Unit's Printed-Circuit Board (PCB):

Refer to Figures 12 for factory wiring details. For low voltage connections between the unit and the thermostat, use No. 18 AWG color-coded, insulated (63° F / 35°C minimum) wires.

## Low Voltage Connections:

These units use a grounded 24 volt AC low voltage circuit and require at least a 1 stage heating and a 1 stage cooling thermostat.

The "R" terminal is the hot terminal and the "C" terminal is grounded.

"G" terminal is the fan input.

"Y" terminal is the compressor.

"R" terminal is 24 VAC hot.

"C" terminal is 24 VAC grounded.

"W" terminal is the heat input.

## WARNING

Failure to follow this warning could result in a fire. Do not use aluminum wire between the RXAH Air Handler and the disconnect switch. USE COPPER WIRE ONLY.

# INSTALLATION

## System Low Voltage Wiring Diagrams

### NOTE:

Local codes may require thermostat wiring to be routed through conduit or raceways. In such instances, splices can be made inside the RXAH Air Handler. All wiring must be NEC Class I and must be separated from incoming power leads.

### IMPORTANT:

Where possible, use a White Rogers factory authorized thermostat with the RXAH Air Handler. If a thermostat other than specified is used then refer to the manufacturer's installation instructions. **Avoid using any power robbing/stealing thermostats.**

Wire Gauge	Maximum Distance (feet)
20 gauge	45
18 gauge	60
16 gauge	100
14 gauge	160
12 gauge	250

## RXAH46 EC MOTOR AIR HANDLERS

### MOTOR SPEED 24VAC PLUG

- Tap 1 - LOW CONTINUOUS - RED/TRACE
- Tap 2 - 600 CFM - YELLOW/TR
- Tap 3 - 800 CFM - BLUE/TR
- Tap 4 - 800 CFM BOOST - PURPLE/TR
- Tap 5 - 1000 CFM - BLACK-TR

### MOTOR 120VAC PLUG

- WHITE 120 COMMON
- GREEN - GROUND
- BLACK 120 VAC
- BROWN - 24VAC COMMON

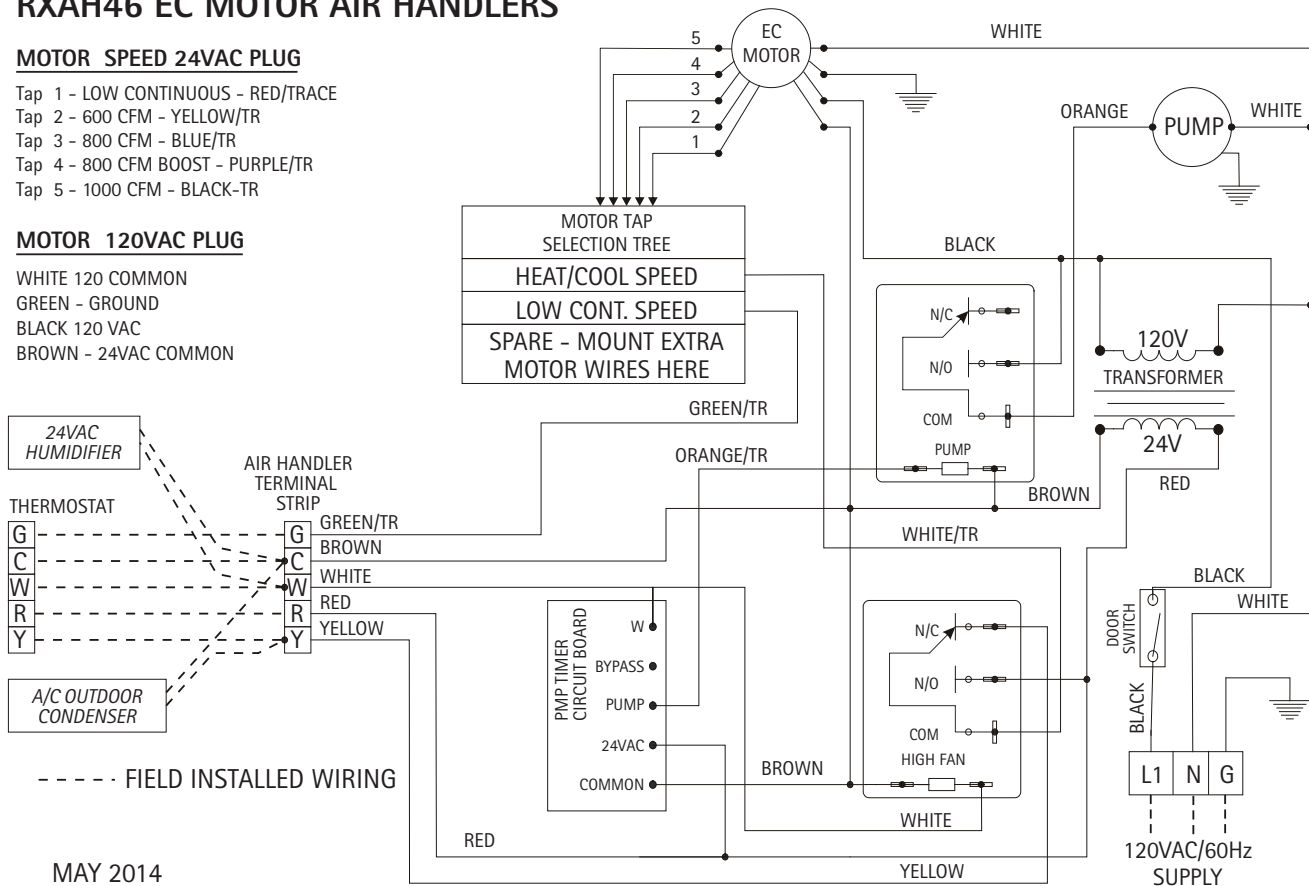


FIGURE 13 RXAH Wiring Diagram



# INSTALLATION

## THERMOSTAT INSTALLATION

### Safety Considerations:

All wiring must conform to local and national electrical codes. Improper wiring or installation may damage thermostat.



### WARNING

Before installing thermostat, turn off all power to unit. There may be more than one power disconnect. Electrical shock can cause personal injury or death.

## INSTALLATION CONSIDERATIONS

### Air Conditioner Model:

Refer to Figures 12 through 13 for factory wiring details. The Standard Model A/C thermostat may be wired with or without connecting a common wire between the indoor equipment and the thermostat. However, it is recommended to use a common wire whenever possible. Do not use a power-stealing thermostat. If an evaporating coil is installed above the hot water coil, then a Freeze stat **must** be installed to prevent potential freeze damage to the hot water coil and subsequent waster escape.

### Installation:

Thermostat should be mounted:

- approximately 5 ft. (1.5 m) from floor;
- close to or in a frequently used room, preferably on an inside partitioning wall
- on a section of wall without pipes or duct work.

Thermostat should NOT be mounted:

- close to a window, on an outside wall, or next to a door leading to the outside;
- exposed to direct light and heat from a lamp, sun, fireplace, or other heat-radiating object which may cause a false reading;
- close to or in direct airflow from supply registers and return-air grills;
- in areas with poor air circulation, such as behind a door or in an alcove.

Refer to Figures 12 for thermostat wiring diagram and thermostat installation instructions for further details.

# INSTALLATION

## START-UP PROCEDURE (HEATING ONLY)

The following conditions must be met prior to unit start-up.

Debris from soldering and/or other installation activities can cause equipment failure. Ensure that all associated lines and appurtenances are free of debris.

Check to ensure that unit is secure.

Check that blower wheel rotates freely within the scroll housing.

Check all wiring to ensure that connections are tight.

Check all ductwork and pipe connections to ensure proper seal.

Check to ensure that all packaging wraps are removed from equipment.

Ensure that front access doors are properly installed.

Check to ensure proper connection(s) to the appropriate blower speed tap. To do this, reference page 25 thru 29 and select the correct model and desired fan speed data. Refer to Figure 13 for appropriate motor tap/wire colour to use.

Perform all safety and start-up checks for Tankless Water Heater as per manufacturer's instructions.

Having verified all preceding checks, the Air Handler's Start-Up Procedure is as follows:

**STEP 1:** Purge and fill system; follow appropriate purging procedure as laid out in this manual in section titled "Purging and Priming the System".

**STEP 2:** Turn on power supply to Air Handler. Caution: blower and/or circulator may start to operate if thermostat is on and a call is present.

**STEP 3:** Turn thermostat on and switch system to the heating mode. The thermostat shall be set higher than the actual room temperature; this will cause the circulator to energize and initiate the heating cycle. (If the pump does not start, or the Air handler is not producing heat, refer to the Troubleshooting Section in this manual).

**STEP 4:** Program room thermostat as desired by homeowner.

## START-UP PROCEDURE (COOLING SYSTEM)

Refer to field supplied evaporator coil and outdoor unit manufacturer's Installation Instructions for system hook-up, start-up instructions and refrigerant charging method details.

## TROUBLESHOOTING BLOWER AND/OR PUMP MOTOR AND CONTROLS



### CAUTION

High voltage is at all times present at motor. Disconnect power to AHU before removing, or replacing, or servicing motor. Wait at least 5 min after disconnecting power before opening motor. Failure to follow this CAUTION could result in minor personal injury or product and property damage.

#### If blower and/or pump motor does not run:

Turn off power and check the following:

1. Check that door switch is in the CLOSED position.
2. Check for 24 VAC between COM and 24 VAC on terminal strip. If no voltage is present, check transformer.
3. Check all connections for kinks which could cause loose connections. Ensure connections are secure.
4. Verify that approximately 120 VAC is present across L1 and L2.

# TROUBLESHOOTING

## MOST LIKELY PROBLEMS AND CAUSES

### Important:

For system to operate properly power should be turned ON and all shut-off valves/isolation valves must be open.

### If Pump Does Not Run:

1. Circuit board controls operation of pump.  
Check that pump LED is illuminated.  
Check for 24VAC at pump terminal on circuit board.  
If faulty refer to "Faulty Circuit Board" section.
2. Check line voltage wiring to pump. Check for 120 VAC at pump relay and inside the pump electrical box.

### Pump is Noisy:

Air may be trapped in the water circuit. Purge air from the system as described under "start-up procedure".

### Insufficient or No Heat:

1. Air may still be trapped in heating loop. Purge air from the system as described under "start-up procedure".
2. Water heater thermostat not turned up high enough. (Remember, higher than 120 °F = mixing valve for domestic service).
3. Inlet and outlet piping connection at the Air Handler may be reversed. See Figure 2.
4. Water heater thermostat not calibrated properly.
5. Excessive pressure drop caused by restriction somewhere in the hot water loop does not allow sufficient water to flow to Air Handler.
6. Air Handler not sized large enough for heat load.
7. Water heater not large enough to satisfy heat load.

### ECM Motor Won't Start:

Disconnect power before plugging/ unplugging motor cables.

CAUTION – motor is supplied with 120 VAC continuously. 24VAC thermostat signals communicate with the motor to initiate operation.

1. Ensure motor cables are properly installed and firmly plugged into the motor. Check voltages in the cables.
2. Check door switch depressed, power supply, and thermostat lines are wired properly. Refer to the electrical diagram supplied with each Air Handler.
3. Check the voltages at motor plugs (120VAC and 24VAC).
4. There may be a faulty TAP on the motor. Select a different speed on the motor tap selection tree. Refer to Figure 13.

5. Possible defective motor. Contact RedZone™ for assistance. When ordering a new motor the Air Handler model number and serial number will be required. Each EC motor must be programmed with the same torque settings as the original motor to operate properly.

### Faulty Circuit Board:

The circuit board has an LED that operates when the pump is running.

When the LED is illuminated 24VAC is measureable between the pump 1/4" Spade terminal on the board and 24VAC COMMON.

If upon power up the pump led and water pump do not run for 5 seconds (without a call for heat) then the circuit board is faulty.

If there is malfunction the circuit board can be temporarily bypassed until a replacement is available.

### With the power off

1. Unplug the 24VAC and 24VAC common wires from the board and fasten the loose wires so they do not touch or short to the other components in the electrical box.
2. Move the "PUMP" wire (Orange/Black stripe) to the BYPASS terminal.

This will allow the pump and blower to run with a call for heat from the thermostat. The 12 hour pump purge will not operate in this mode.

# SEQUENCE OF OPERATION

## STANDBY MODE

All control outputs are off and the control is waiting for a thermostat demand. The control initiates action when a thermostat call is received.

## COOLING MODE

### **Air-Conditioning (A/C) Cooling Demand:**

When the thermostat calls for cooling (W), the control energizes the selected heat/cool blower speed and pump.

## HEATING MODE

### **Heat Blower OFF Delay:**

When the heating thermostat demand (W) is removed, the control de-energizes the circulating pump and de-energizes the blower motor.

Control inputs are continuously monitored to ensure the call for heat remains.

### **Off Season Circulation Timer**

All RedZone™ RXXAH models are equipped with a circulation timer. It is normal operation for these models to automatically run the circulation pump for a period of 2 minutes every 12 hours.

# MAINTENANCE

Repairs should be performed by a qualified service technician. The appliance should be inspected annually by a qualified service technician. Verify proper operation after servicing.

## CLEANING

It is important that compartments, filter, and circulating air passage ways of the appliance be kept clean.

Clean as follows:

1. Turn off and disconnect electrical power. Allow to cool.
2. Replace the air filter. (Should be done at least quarterly. Refer to the Specifications section for sizes.)
3. Use pressurized air to remove dust from the components.
4. Use soft dry cloth to wipe cabinet.

## SUPPLY AND RETURN AIR DUCT SYSTEMS

The supply and return air ducts should be inspected at least annually for blockages or damage.

## MOTORS

The motor and pump are permanently lubricated and do not need periodic lubrication. Keep free of dust and dirt by cleaning annually.

## INTEGRAL CIRCULATOR PUMP

### Replacing Pump Motor Assembly:

1. Disconnect the electrical supply.
2. Reduce system pressure to 0 psi and allow system to return to room temperature. Isolate the circulator by closing the service valves or draining the system.
3. Remove the body bolts and swing motor assembly away from the body.
4. Install new motor, and reassemble circulator using the new gasket and bolts supplied.
5. Follow the "installation" procedure to start up the circulator.

## Table 3 – Air Handler Specifications

UNIT MODEL		RXAH	
RATING AND PERFORMANCE		@ 140°F (4 GPM)	
Nominal Output Capacity (BTU/h) @ 600 CFM			33,500
Nominal Output Capacity (BTU/h) @ 800 CFM			40,700
Nominal Output Capacity (BTU/h) @ 1000 CFM			46,600
ELECTRICAL			
Power Supply	V-HZ-PH		115-60-1
Total Amps	A		5
Maximum Fuse or CKT BKR Size	Amps		15
Transformer (24V)			30VA (Primary: 120 VAC / Secondary: 24 VAC)
INDOOR BLOWER MOTOR			
Type			Brushless DC Motor
Motor HP			1/3
CIRCULATING PUMP			
Type			Wet Rotor
Volts-HZ-PH			115-60-1
Pump Motor			3 Speed
Fluid Temperature	°F (°C)		140 / 180 (60 / 82)
PIPING CONNECTIONS - (QTY)			
Type			Copper Stubs
Supply Diameter	Inches		1/2
Return Diameter	Inches		1/2
RETURN-AIR FILTERS			
Filter Type (Throwaway)	Inches		16 x 20 x 1
UNIT WEIGHT			
Shipping	lbs		98
Installed (with water)	lbs		101

## FIELD SUPPLIED ACCESSORIES

### 1. Anti-scald Thermostatic Temperature Control Valve

Anti-scald thermostatic temperature control valves are an important part of domestic water plumbing because they eliminate the scalding and cold water shocks that can occur in a shower when a toilet is flushed or a faucet is turned on. In an Open Loop system (dual function – space heating and domestic water heating), an anti-scald valve should be installed when the Tankless Water heater set thermostat is above 120°F (49°C); refer to local codes and/or all authority having jurisdiction. For recommended piping configuration, refer to Figure 11. Anti-Scald valve shall be thermostatically controlled and meet at least the following specifications:

- Dual certification ASSE 1016-T and ASSE 1017
- IAPMO Approved
- CSA Approved

### 2. Expansion Tank

### 3. Air Separator – optional

### 4. Freeze Protection Thermostat. for Installations with Air Conditioning

# RXAH46 SPECIFICATION

## Unit Technical Information

Power Requirements	120 VAC, 1PH
Maximum Fuse	15 Amps
Total Amps	5 Amps
Transformer	40 VAa
Blower Motor	1/3 HP ECM
Pump	1/8 HP 3-Speed
Filter Size	16" x 20"
Return Duct Connection Size	15" x 19"

## Heating Capacity

Airflow CFM	Water Flow GPM	Return Air Deg F	Supply Water Deg F	Output BTU	Supply Air Deg F	Leaving Water Deg F
	3	70	140	32,000	120.0	118.2
600	<b>4</b>	<b>70</b>	<b>140</b>	<b>33,500</b>	<b>122.3</b>	<b>122.9</b>
	5	70	140	34,400	123.6	126.0
	3	70	140	38,300	114.8	114.0
800	<b>4</b>	<b>70</b>	<b>140</b>	<b>40,700</b>	<b>117.6</b>	<b>119.3</b>
	5	70	140	42,100	119.3	122.8
	3	70	140	43,400	110.6	110.6
1000	<b>4</b>	<b>70</b>	<b>140</b>	<b>46,600</b>	<b>113.6</b>	<b>116.3</b>
	5	70	140	48,700	115.6	120.1

## Blower Capacity

Motor Speed	CFM at 0.4" E.S.P.
Low	600
Medium	800
High	1,000



# PART LIST

Replacement Parts List	
	<b>RXAH46</b>
Relay	PTRA-1C-24C-T5-X
Transformer	PU30va
Motor	RXAH46ECM-13
Door Switch	CARLING-TA20B
Coil	BC9751
Housing	DC10166005
Pump	UPS15-58RURXAH
Check Valve	96806141
Control Board	PT-ECB V10
Filter	FILTRXAH4620201

Wiring diagram located on page 16

# LIMITED WARRANTY

## WARRANTY INFORMATION

The installer is responsible for the correct installation of your Air Handler.

Please complete the information below to keep for your records:

Purchased from: \_\_\_\_\_

Address: \_\_\_\_\_

Phone: \_\_\_\_\_

Date of Purchase: \_\_\_\_\_

Model No.: \_\_\_\_\_

Serial No.: \_\_\_\_\_

Installed by: \_\_\_\_\_

Installer's License No.: \_\_\_\_\_

Address: \_\_\_\_\_

Phone: \_\_\_\_\_

Date of Installation: \_\_\_\_\_

To register your Air Handler, please visit [www.redzone-products.com](http://www.redzone-products.com)  
For those without internet access, please call 1-844-202-7990.

## LIMITED WARRANTY

Subject to the terms and conditions of this limited warranty, Enerzone Inc. (hereinafter "Company") extends a limited warranty (hereinafter "Warranty") for this product.

### What is covered?

This Warranty covers any defects in materials or factory workmanship when the product is installed and operated according to Company's written installation instructions and in accordance with all applicable laws, regulations and codes, and when the product is operated only under normal use and service, subject to the terms and conditions of this Warranty. RedZone™ Air Handler should be installed by a qualified or licensed contractor. Improper installation may void this Warranty. This Warranty extends to the original purchaser, but only while the product remains at the site of the original installation. This Warranty only extends through the first installation of the product and terminates if the product is moved or reinstalled at a new location.

### How long does coverage last?

Item	Period of Coverage (from date of purchase)
Parts	2 Years *

*\* In order to receive full warranty coverage on the Air Handler when connected to any other type or brand of product other than a Rinnai or Bosch tankless water heater, the flow rate through the Air Handler must not exceed a maximum of 5 GPM.*

# LIMITED WARRANTY

## What will Company do?

You must contact a qualified/authorized service provider for the repair of a product under this Warranty. For the name of a qualified/authorized service provider please contact your place of purchase, visit the RedZone™ website ([www.redzone-products.com](http://www.redzone-products.com)), or call 1-844-202-7990.

Proof of purchase is required to obtain warranty service.

You may show proof of purchase with a dated sales receipt, or by registering within 30 days of purchasing the product. To register your Air Handler, please visit [www.redzone-products.com](http://www.redzone-products.com). For those without internet access, please call 1-844-202-7990. Receipt of registration will constitute proof-of-purchase for this product.

However, registration is not necessary in order to validate this Warranty.

As Company's only responsibility and your only remedy under this Warranty, Company will furnish a replacement part to the qualified/authorized service provider, without charge for the part only, to replace any part that is not in compliance with this Warranty. You must pay for any and all shipping and handling charges and other costs of warranty service for the replacement part. Company may, at its option, provide a credit in the amount of the then factory selling price for a new substitute part to be used by you towards the retail purchase price of a new RedZone™ Air Handler. Any new product purchase shall be at your sole cost and expense including, but not limited to, all shipping, removal and installation costs and expenses.

## What is not covered?

This Warranty does not cover any failures or operating difficulties due to the following:

- accident, abuse, or misuse
- alteration
- misapplication
- force majeure
- improper installation (such as but not limited to inadequate water quality, condensate damage, or absence of a drain pan under the appliance)

- improper maintenance (such as but not limited to scale build-up, or freeze damage)
- incorrect sizing
- any other causes other than defects in materials or workmanship

This Warranty does not apply to any product whose serial number or manufacture date has been defaced. This Warranty does not cover any product used in an application that uses chemically treated water.

## Limitation on warranties

No one is authorized to make any other warranties on behalf of Company or any of Company's suppliers or distributors. Except as expressly provided herein, there are no other warranties, expressed or implied, including, but not limited to warranties of merchantability or fitness for a particular purpose, which extend beyond the description of the warranty herein.

In no event, whether as a result of breach of warranty or contract, tort (including negligence), strict liability or otherwise, shall Company or any of Company's suppliers or distributors be liable for indirect, incidental, special, consequential or other similar damages that may arise, including lost profits, damage to person or property, loss of use, inconvenience, or liability arising from improper installation, service or use.

This Warranty gives you specific legal rights, and you may also have other rights, which vary from province to province.

## Manufacturer:

Enerzone Inc.  
22 Pegler Street London, ON N5Z 2B5

## Distributor:

RedZone Products Inc.  
5605 Timberlea Blvd., Mississauga, ON L4W 2S4



Toll Free: 1-844-202-7990  
[www.redzone-products.com](http://www.redzone-products.com)

